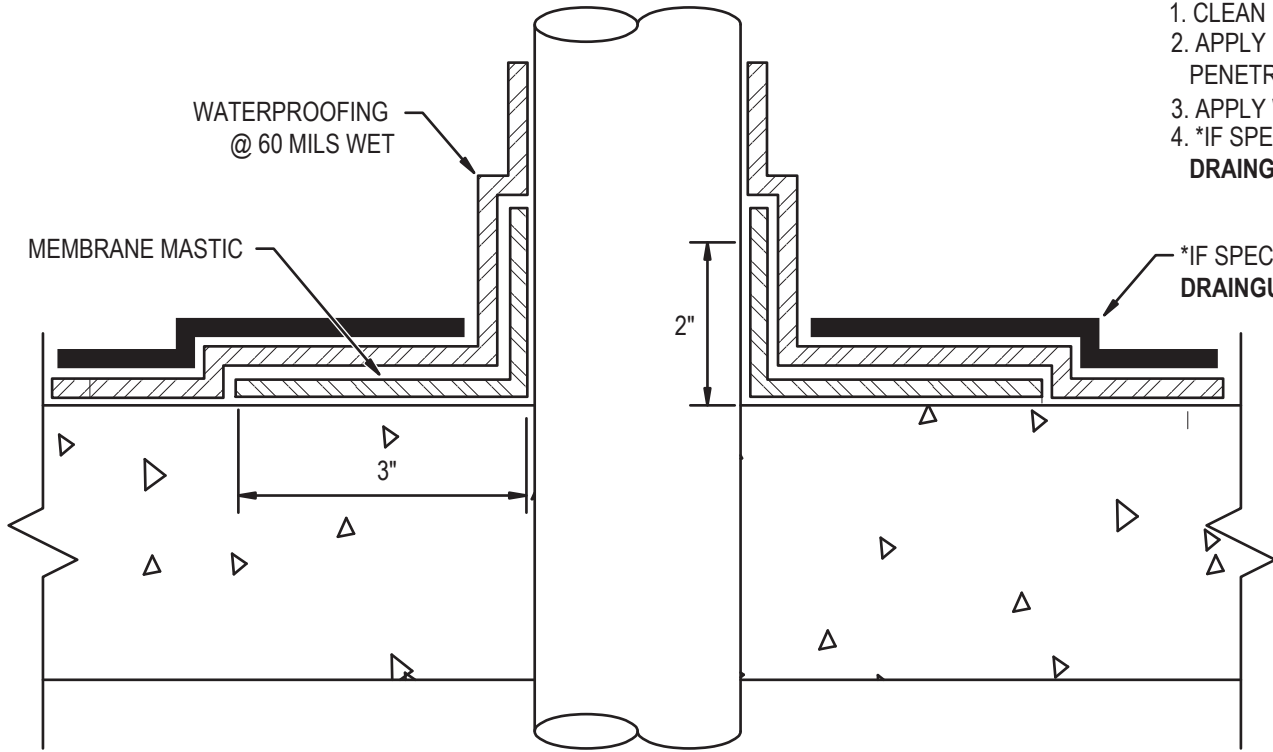


**HYDRA-GUARD / HYDRA-GUARD WB / J-COTE / J-COTE WB WATERPROOFING MEMBRANE**  
PENETRATIONS NO VOID



**NOTES :**

- 1. CLEAN METAL TO BRIGHT FINISH.
- 2. APPLY MEMBRANE MASTIC 2" ONTO PENETRATION AND 3" TO SUBSTRATE.
- 3. APPLY WATERPROOFING @ 60 MILS WET.
- 4. \*IF SPECIFIED INSTALL **FIBR-DRI** OR **DRAINGUARD** COMPOSITE.

\*IF SPECIFIED INSTALL **FIBR-DRI** OR **DRAINGUARD** COMPOSITE.



P.O. Box 18476 | Fairfield, OH 45018  
(513) 939-3767 | Toll Free (877) 277-5948 | Fax (513) 939-3787  
www.appliedtechnologies.com

**SWP-8**