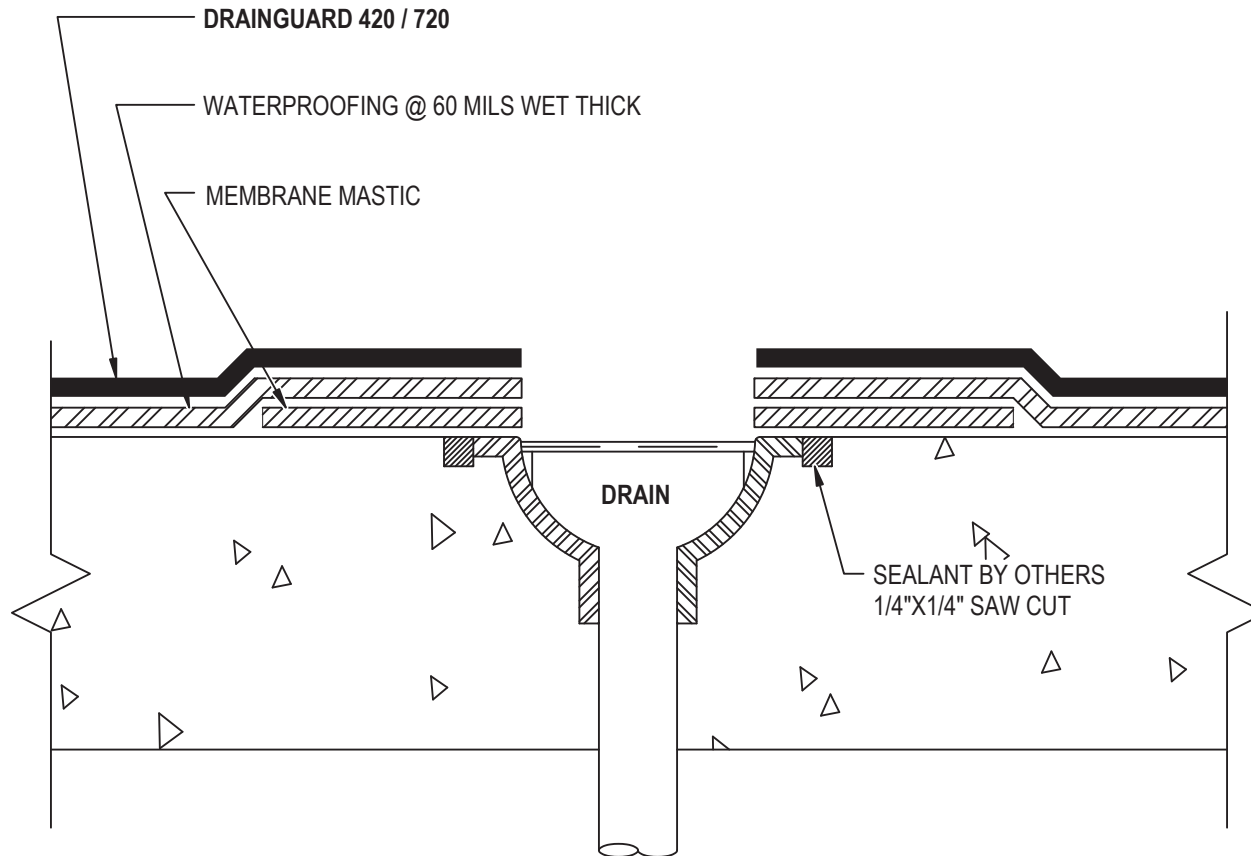


# HYDRA-GUARD / HYDRA-GUARD WB / J-COTE / J-COTE WB WATERPROOFING MEMBRANE

## DRAIN



### NOTES

1. SAW CUT (1/4" X 1/4") AROUND DRAIN FLANGE. APPLY SEALANT TOOL FLUSH ALLOW TO CURE OVER NIGHT.
2. CLEAN FLANGE TO EXPOSE BRIGHT METAL
3. APPLY MEMBRANE MASTIC TO DRAIN FLANGE AND EXTEND 4" ONTO DECK.
4. APPLY WATERPROOFING @ 60 MILS WET THICK.
5. INSTALL **DRAINGUARD 420 / 720**

**applied**  
technologies llc

P.O. Box 18476 | Fairfield, OH 45018  
(513) 939-3767 | Toll Free (877) 277-5948 | Fax (513) 939-3787  
[www.appliedtechnologies.com](http://www.appliedtechnologies.com)

**SWP-6**