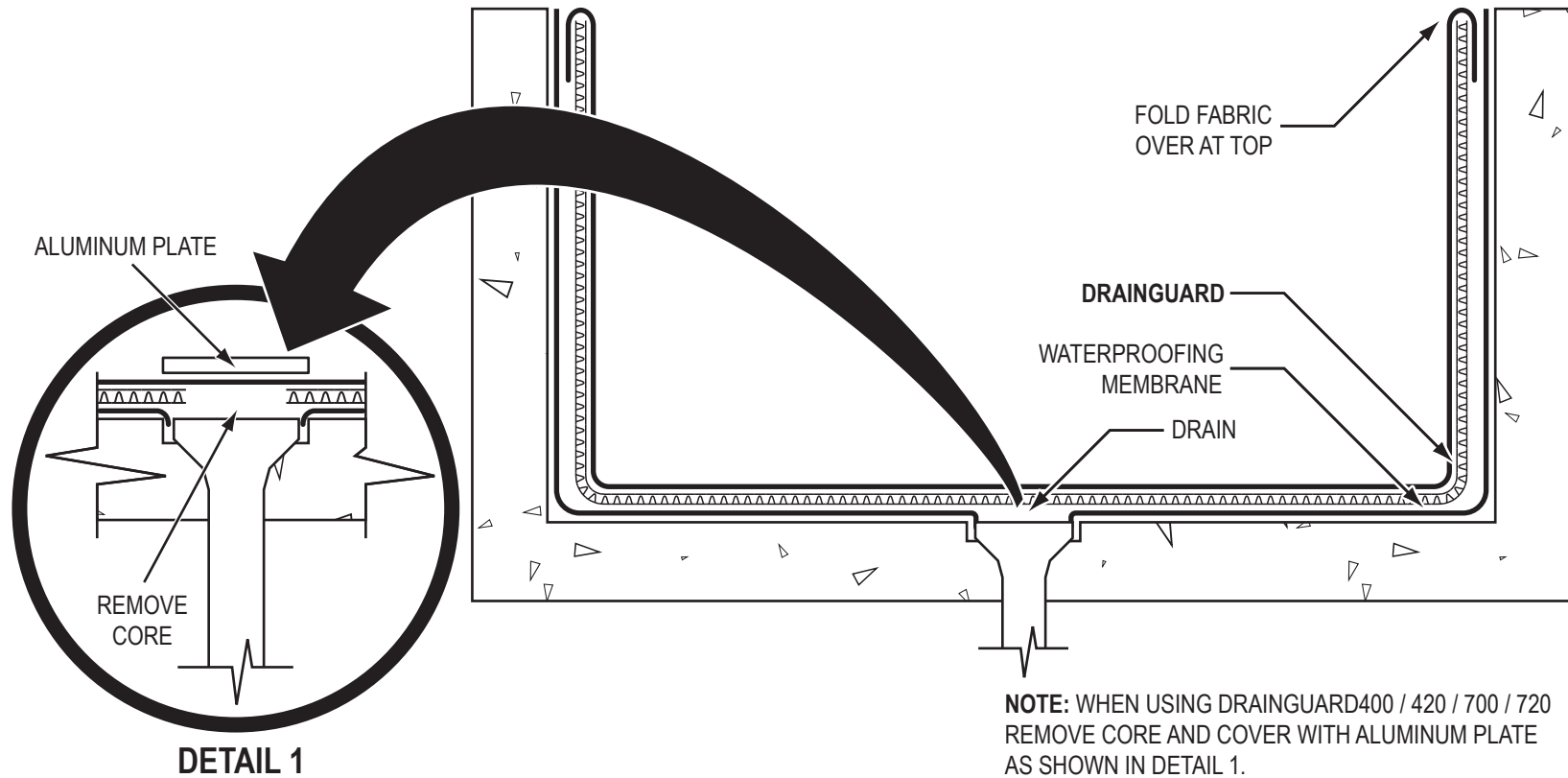


DRAINGUARD 400 / 420 / 700 / 720
TYPICAL PLANTER DETAIL



applied
technologies llc

P.O. Box 18476 | Fairfield, OH 45018
(513) 939-3767 | Toll Free (877) 277-5948 | Fax (513) 939-3787
www.appliedtechnologies.com

DG-08